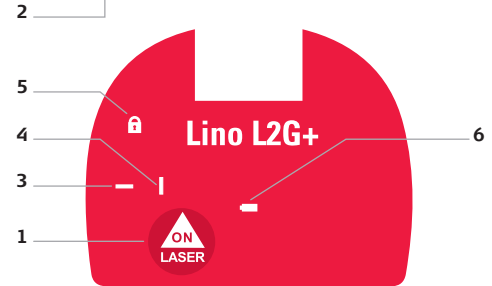
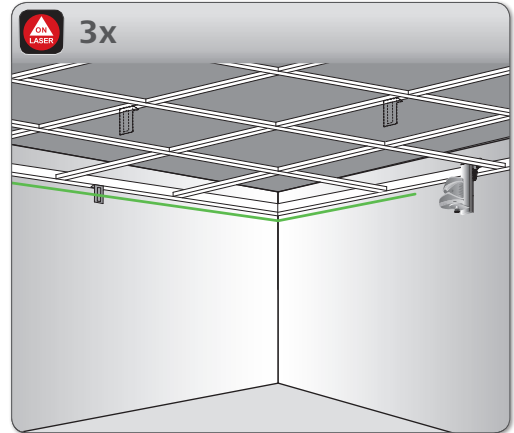
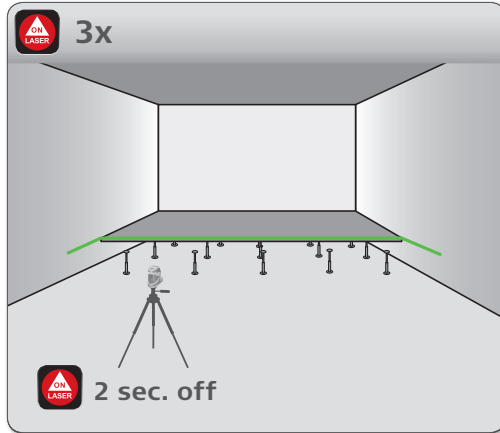
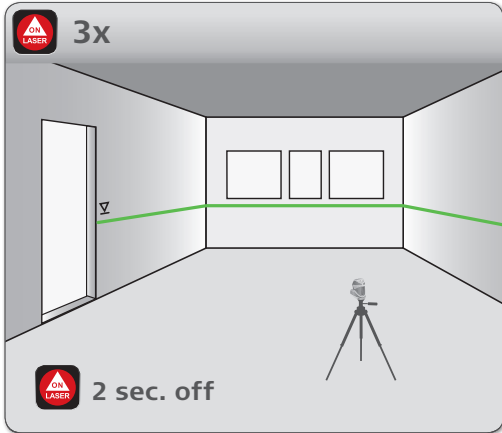
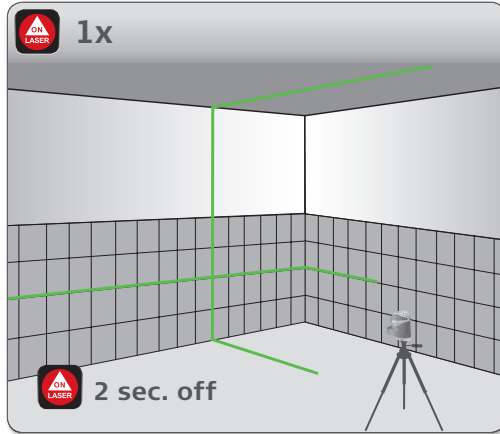
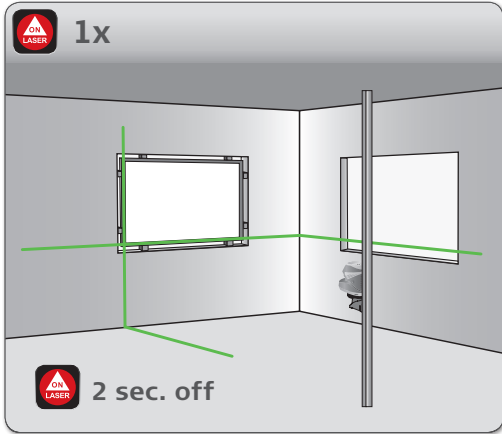


## Quick Start Leica Lino L2G+



- 1 LASER ON/OFF
- 2 Lockswitch OFF
- 3 Laser line horizontal
- 4 Laser line vertical
- 5 Lock ON
- 6 Battery voltage too low

- when it has to be right



[www.leica-geosystems.com](http://www.leica-geosystems.com)

SAP. No. 817858a